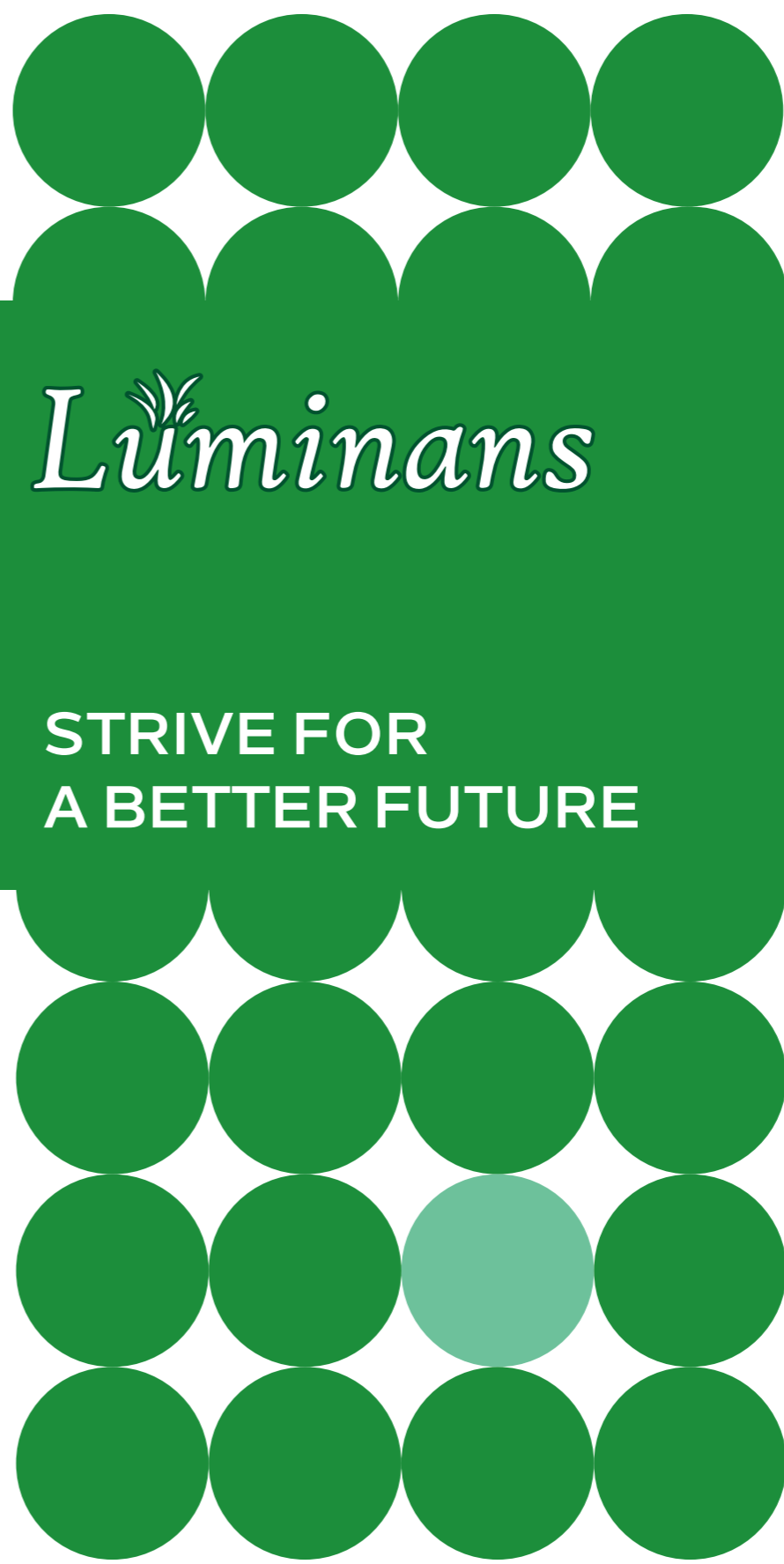


**FROM
STOCKHOLM**

SINCE 2010



Luminans

**STRIVE FOR
A BETTER FUTURE**

Luminans Group AB
Runstensvägen 5,
175 61 Järfälla, Sweden

Luminans (HK)
Unit A7, 12/F, Astroia Building,
34 Ashley Rd, Kowloon, HK

Luminans/Lumelectric (SZ)
3F, Block 703, Pengji Industrial
Park, Luohu Dist, Shenzhen, China

Luminans (DG)
3/4F, Changrong High-tech Park,
Hu-men Town, Dongguan, China

2025 CATALOG



OEM/ODM Manufacturer

Luminans is a team of passionate and highly devoted coworkers offering to notch lighting&control technologies for all lighting needs. To ensure our position in the market, we always deliver cutting edge technology and carrying out research and development, developing the latest products in the field.

We have many years of accumulated experience and an abundance of satisfied clients and we have been recognized in various high-class hotels, commercial office buildings, shopping malls and parking areas. As a global company we take our responsibility to help decreasing the carbon footprint and by that protect our planets eco system, all of the material we use is in conformity with RoHS.

Our goal is to combine our experience with your ideas to create comfortable light atmospheres and esthetical pleasing designs. Luminans will help you all the way from the drawing board to the final lighting solution and beyond.

We have a professional and strict QC team. With the strict Quality System Management, which contains SQA (Supplier Quality Assurance), IQC (Incoming Quality Check), PQC (Process Quality Check), FQC (Final Quality Check) & CSI (Customer Service Improvement), From raw materials to production, from production to factory inspection, every process is strictly in accordance with the quality management system of ISO 9001 ,and we got all the necessary certificates for relevant market.



ISO 9001 by Intertek



Philips Premium Partner for LED module and converter

More than 70 patents includes both appearance and utility



Tests done by Intertek



Tests done by TUV



Tests with RED for Smart Lighting

CB test with our own developed drivers



Nemko test for ISOSAFE





Goniophotometer



Aging Room



Aging Line



UV Accelerated Weathering Tester



Spectroradiometer



SMT Line



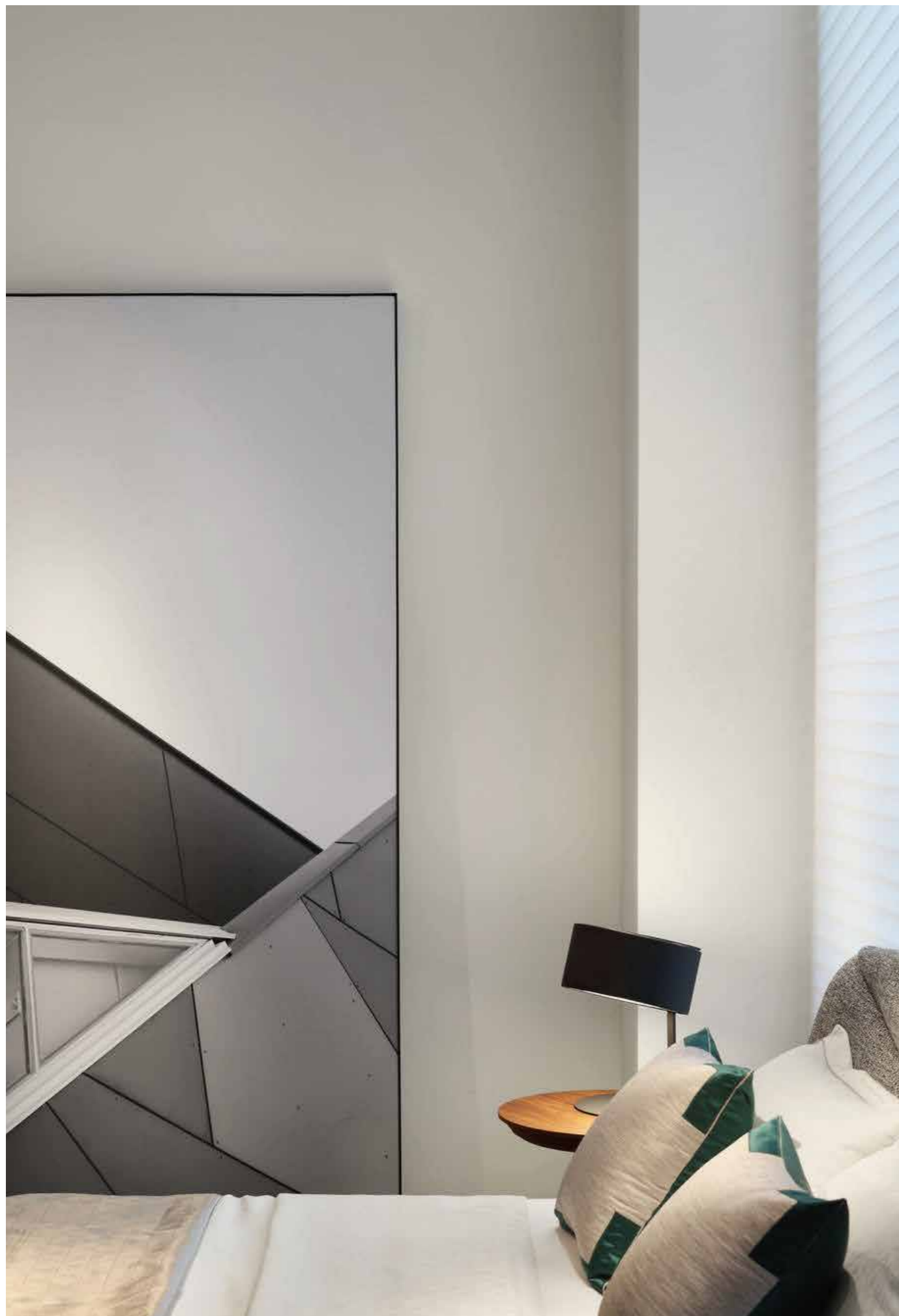
IP Rating Test




Corrosion Resistant Testing



EMC Tester



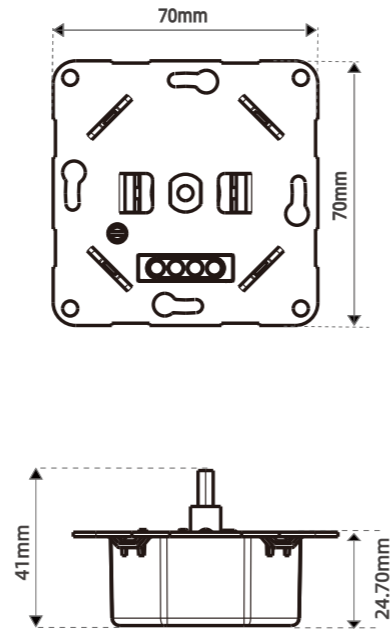
Category

	EUD-100	EU	LED DIMMER	P.07
	UND-10DC	1-10V EU	LED DIMMER	P. 08
	EUD-130/160	EU	LED DIMMER	P. 09
	EUD-10ZB/WF	EU	LED DIMMER	P. 10
	MTD-500	EU	LED DIMMER	P. 11
	UND-020	EU	LED DIMMER	P. 12
	UND-51ZB/WF		LED DIMMER	P.13
	UND-035		LED DIMMER	P. 14
	UKD-440	UK	LED DIMMER	P. 15
	UKD-416	UK	LED DIMMER	P. 16
	UKD-440ZB	UK	LED DIMMER	P. 17
	UKD-416T	UK	LED DIMMER	P. 18

DIMMER

LED DIMMER

Trailing edge



- Min &MAX
brightness**
- No neutral
required**
- Silent dimming**
- Two-way**
- A-brands cover
Compatibility**

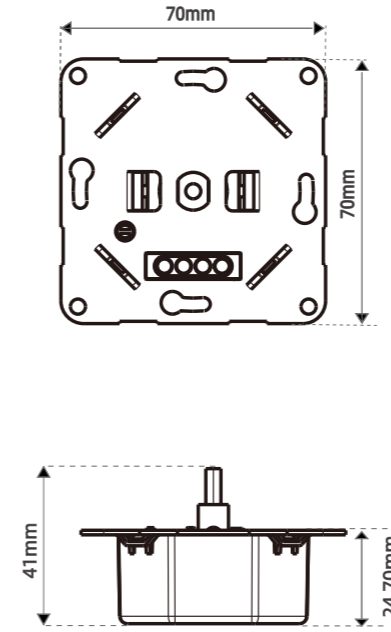
-
-
-
-
-
-
-



Art.no.	Connection	Power	Dimming Way	Type of dimming	Overload	Overheat
EUD-100	2 Wire	0.5-200VA RC	Two Way	Trailing edge	Yes	Yes

1-10V LED Dimmer

DIMMER



- Min &MAX
brightness**
- Flicker-free**
- Silent dimming**
- 10A switch
current**
- A-brands cover
Compatibility**

-
-
-
-
-
-
-

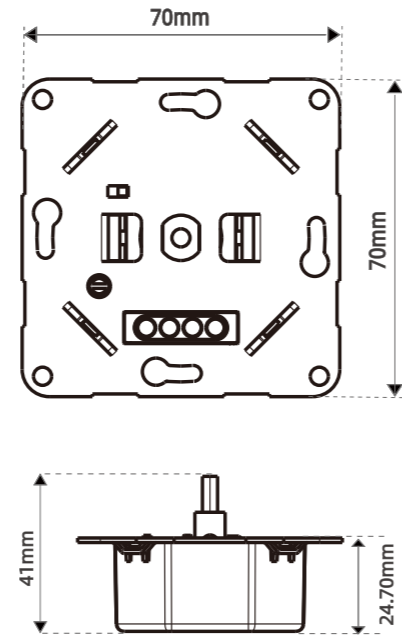


Art.no.	Control Current	Control Voltage	Ambient Temperature	Switching Current
UND-10DC	Max.50mA	0V~10V	+5~+25°C	AC 230/240V ~10A

DIMMER

LED DIMMER

Trailing/leading edge



- Min &MAX
brightness**
- No neutral
required**
- Silent dimming**
- Two-way**
- A-brands cover
Compatibility**

-
-
-
-
-
-
-

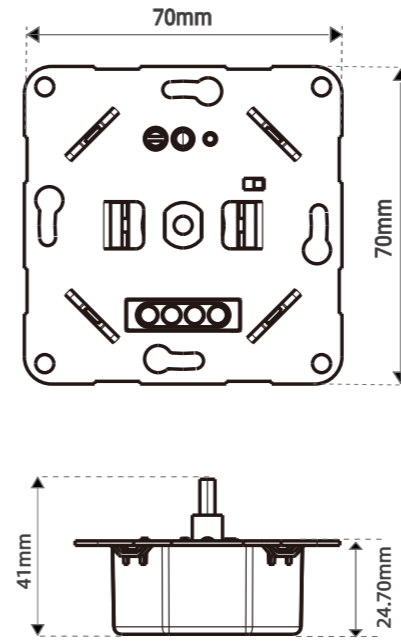


Art.no.	Connection	Power	Dimming Way	Type of dimming	Overload	Overheat
EUD-130	2 Wire	0.5-300VA RC 0.5-150VA RL	Two Way	Trailing/leading edge	Yes	Yes
EUD-160	2 Wire	0.5-600VA RC 0.5-150VA RL	Two Way	Trailing/leading edge	Yes	Yes

Rotary Smart Dimmer

Trailing/leading edge

DIMMER



- Min &MAX
brightness**
- No neutral
required**
- Silent dimming**
- Multiway**
- A-brands cover
Compatibility**

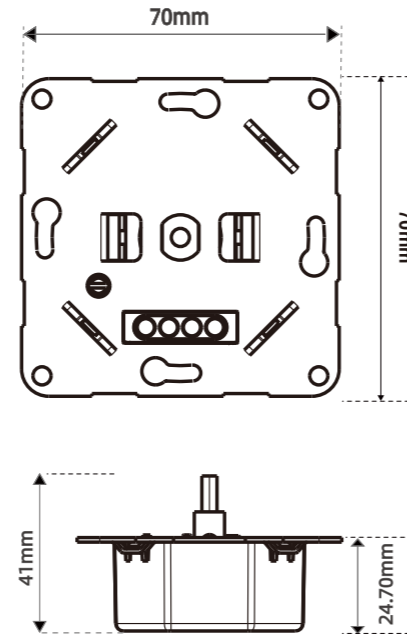
-
-
-
-
-
-
-



Art.no.	Connection	Power	Dimming Way	Type of dimming	Overload	Overheat	Short-circuit
EUD-10ZB	2 Wire	0.5-300VA RC 0.5-100VA RL	Multiway	Trailing/leading edge	Yes	Yes	Yes
EUD-10WF	2 Wire	0.5-300VA RC 0.5-100VA RL	Multiway	Trailing/leading edge	Yes	Yes	Yes
EUD-10MT	2 Wire	0.5-300VA RC 0.5-100VA RL	Multiway	Trailing/leading edge	Yes	Yes	Yes

DIMMER

LED DIMMER
Trailing/leading edge



- Min &MAX
brightness**
- No neutral
required**
- Silent dimming**
- Multiway**
- A-brands cover
Compatibility**

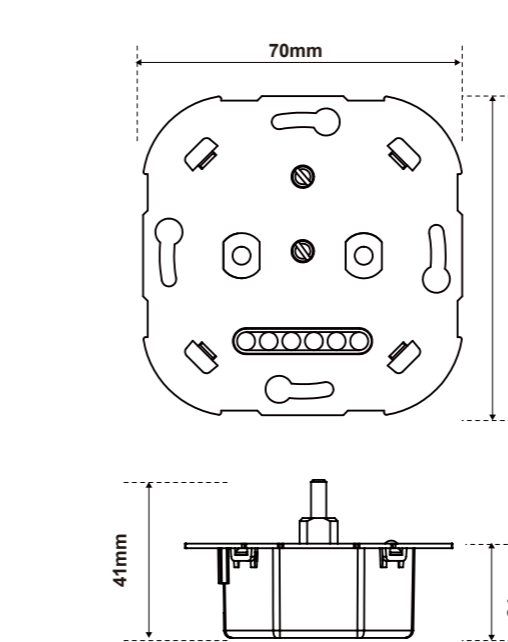
-
-
-
-
-
-
-



Art.no.	Connection	Power	Dimming Way	Type of dimming	Overload	Overheat
MTD-500	2 Wire	0.5-300VA RC	Multiway	Trailing edge	Yes	Yes

LED DIMMER
Trailing/leading edge

DIMMER



- Min &MAX
brightness**
- No neutral
required**
- Silent dimming**
- Two-way**
- A-brands cover
Compatibility**

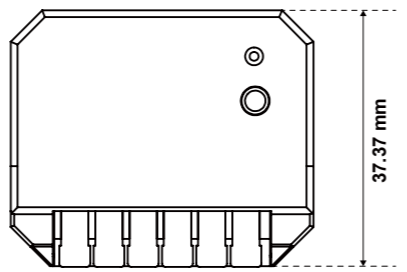
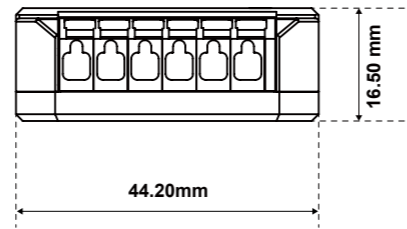
-
-
-
-
-
-
-



Art.no.	Connection	Power	Dimming Way	Type of dimming	Overload	Overheat
UND-020	2 Wire	2*0.5-120VA RC	Two Way	Trailing edge	Yes	Yes

DIMMER

LED DIMMER Trailing/leading edge



- Min & MAX brightness
- No neutral required
- Silent dimming
- Multiway
- A-brands cover Compatibility

- 2 year Warranty
- UV Resistant
- IP20 Protection
- Flame Resistant
- CE
- RoHS
- Halogen Free

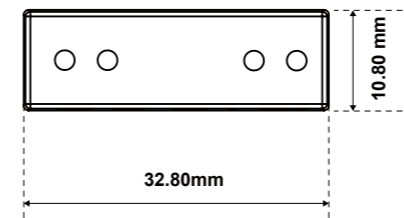
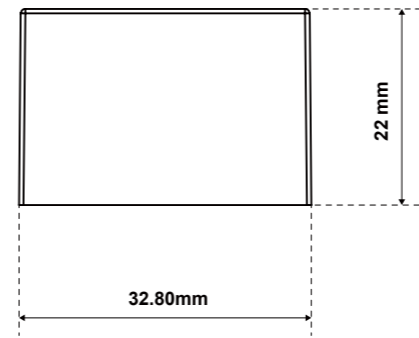
matter



Art.no.	Connection	Power	Dimming Way	Type of dimming	Overload	Overheat	Short-circuit
UND-51ZB	2 Wire	2-150VA RC 2-100VA RL	Two Way	Trailing/leading edge	Yes	Yes	Yes
UND-51WF	2 Wire	2-150VA RC 2-100VA RL	Two Way	Trailing/leading edge	Yes	Yes	Yes

LED DIMMER Trailing/leading edge

DIMMER



- Min & MAX brightness
- No neutral required
- Silent dimming
- Multiway
- A-brands cover Compatibility

- 3 year Warranty
- UV Resistant
- IP20 Protection
- Flame Resistant
- CE
- RoHS
- Halogen Free

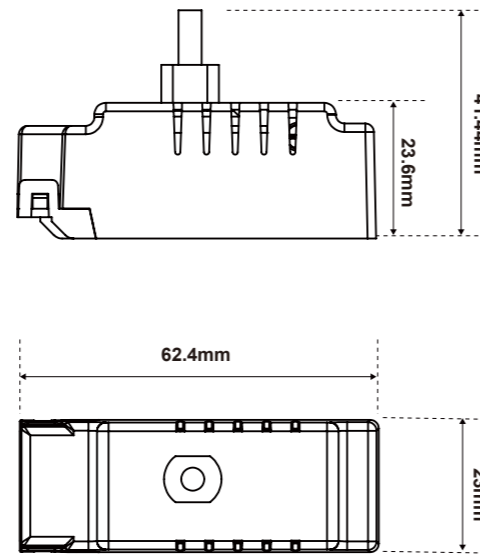


Art.no.	Connection	Power	Dimming Way	Type of dimming	Overload	Overheat
UND-035	2 Wire	2-100VA RC	Multiway	Trailing edge	Yes	Yes

DIMMER

LED DIMMER

Trailing/leading edge



- Min &MAX
brightness**
- No neutral
required**
- Silent dimming**
- Two-way**
- A-brands cover
Compatibility**

-
-
-
-
-
-
-

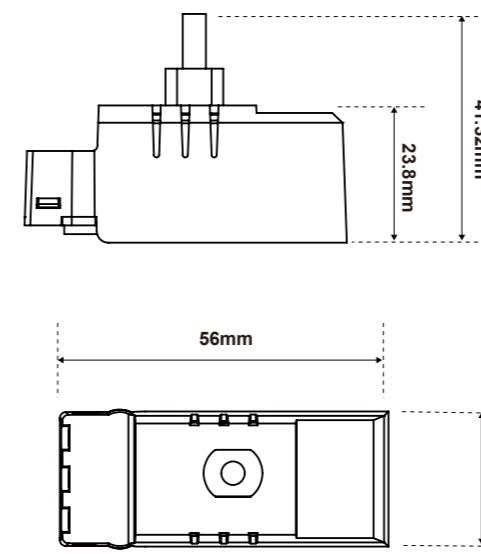


Art.no.	Connection	Power	Dimming Way	Type of dimming	Overload	Overheat
UKD-440	2 Wire	3-400VA RC 3-120VA RL	Two Way	Trailing/leading edge	Yes	Yes

LED DIMMER

Trailing/leading edge

DIMMER



- Min &MAX
brightness**
- No neutral
required**
- Silent dimming**
- Two-way**
- A-brands cover
Compatibility**

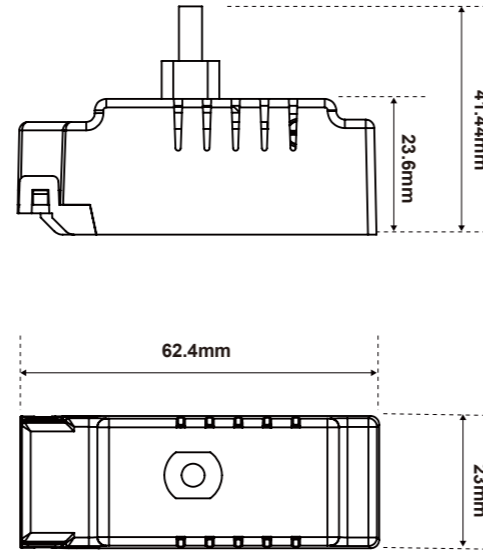
-
-
-
-
-
-
-



Art.no.	Connection	Power	Dimming Way	Type of dimming	Overload	Overheat
UKD-416	2 Wire	3-160VA RC 3-50VA RL	Two Way	Trailing/leading edge	Yes	Yes

DIMMER

LED DIMMER
Trailing/leading edge



- Min &MAX brightness
- No neutral required
- Silent dimming
- Multiway
- A-brands cover Compatibility

- 2 year Warranty
- UV Resistant
- IP20 Protection
- Flame Resistant
- CE
- RoHS
- Halogen Free

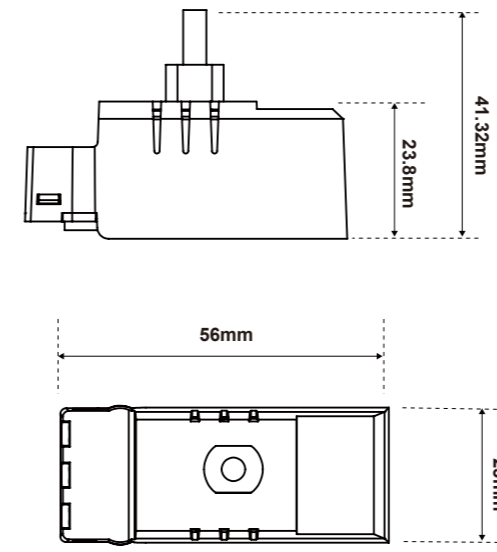
WiFi matter



Art.no.	Connection	Power	Dimming Way	Type of dimming	Overload	Overheat	Short-circuit
UKD-440ZB	2 Wire	3-250VA RC 3-100VA RL	Two Way	Trailing/leading edge	Yes	Yes	Yes
UKD-440WF	2 Wire	3-250VA RC 3-100VA RL	Two Way	Trailing/leading edge	Yes	Yes	Yes

LED DIMMER
Trailing/leading edge

DIMMER



- Min &MAX brightness
- No neutral required
- Silent dimming
- Two-way
- A-brands cover Compatibility

- 3 year Warranty
- UV Resistant
- IP20 Protection
- Flame Resistant
- CE
- RoHS
- Halogen Free



Art.no.	Connection	Power	Dimming Way	Type of dimming	Overload	Overheat
UKD-416T	2 Wire	2*3-160VA RC 2*3-50VA RL	Two Way	Trailing/leading edge	Yes	Yes
UKD-440T	2 Wire	2*3-400VA RC 2*3-120VA RL	Two Way	Trailing/leading edge	Yes	Yes